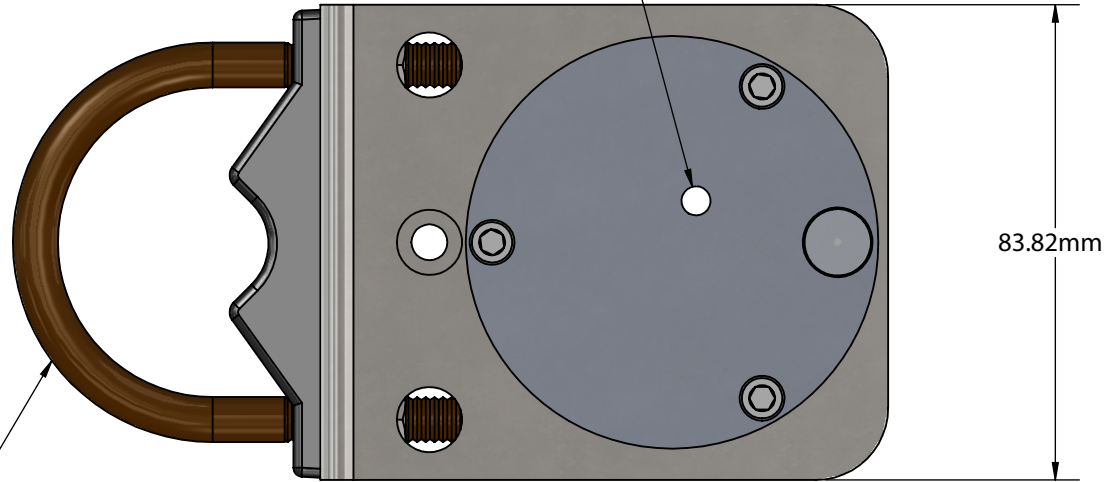
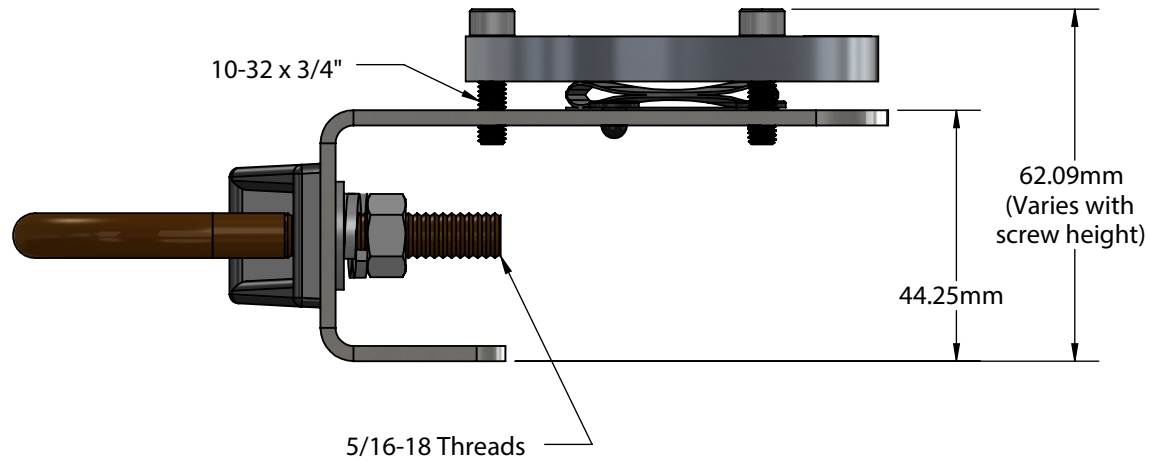


Apogeeセンサー水平固定台水準器付 取付金具 SE-AL-120

Ø5.13mm THRU
For #10-32 Screw



Accommodates pipe
with 1.3" - 2.1" OD



日本正規代理店 株式会社セネコム

apogee
INSTRUMENTS

AL-120
AM-210

Information in this drawing is provided for
reference only.

SCALE: 3:4

COPYRIGHT:
5/2/2017